

# TFG SERIES 800 / 1600 / 2400

## GRINDING TABLES

  
**tehno filter d.o.o.**  
AIR PURIFICATION SOLUTIONS

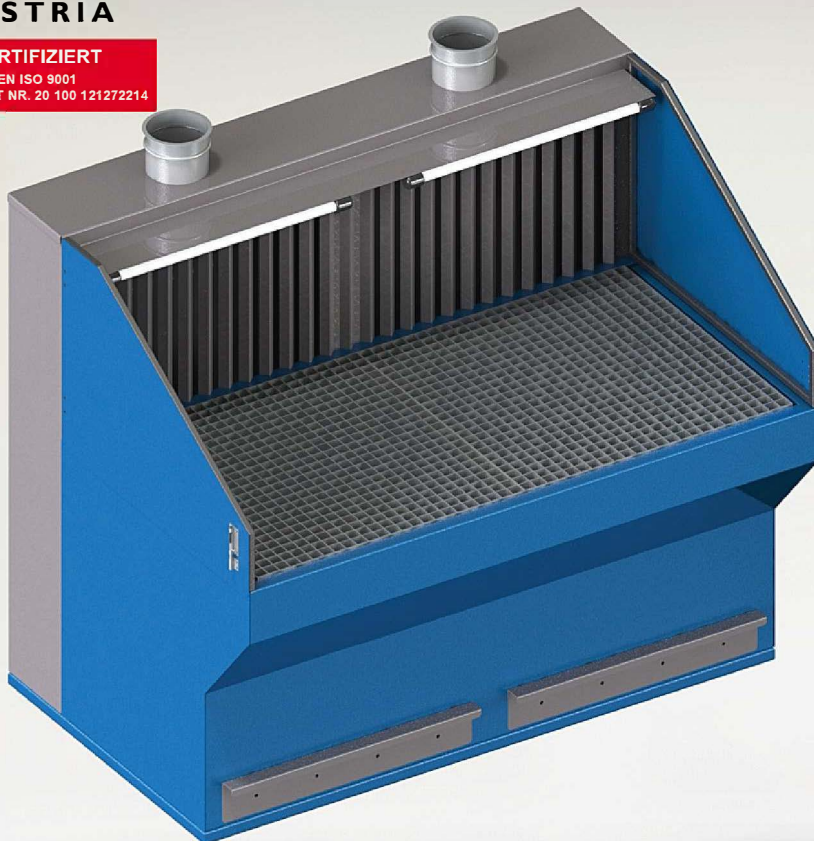
**MODQUIP**  
MODULAR CONVEYORS  
& EQUIPMENT

**TÜV**  
AUSTRIA

ZERTIFIZIERT

EN ISO 9001

ZERTIFIKAT NR. 20 100 121272214



CE

TFG series industrial grinding tables are used for the extraction of the fume and particles of dust in grinding operations.

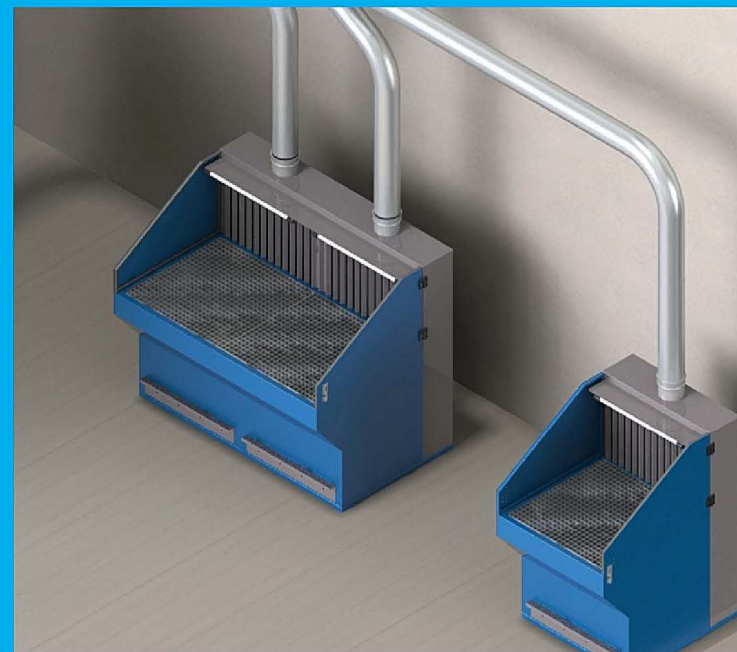
Tables are available in different sizes TFG 800 / 1600 / 2400.

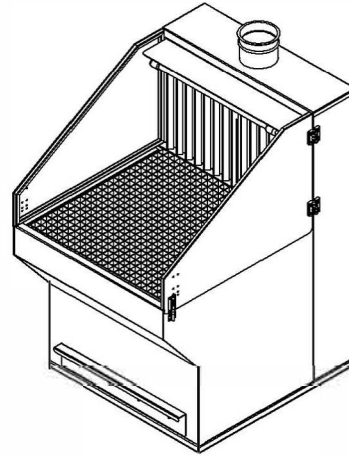
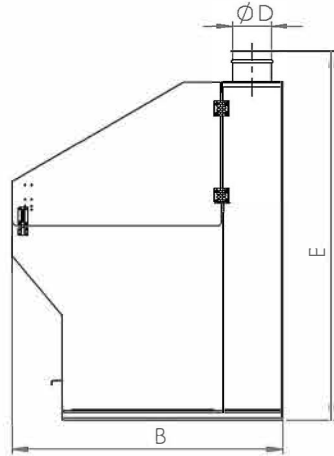
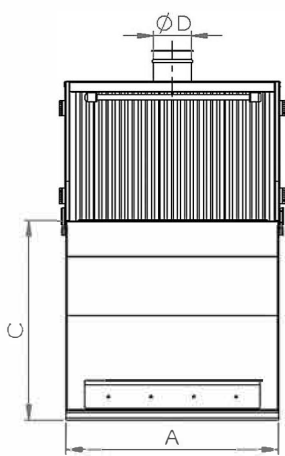
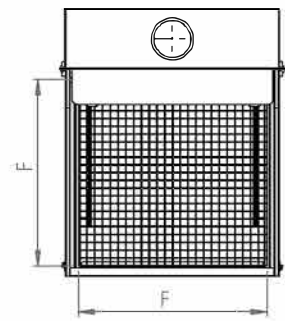
The connection with central extraction system and filter unit between is recommended (TFK series filter units).

Dust collecting drawer is located in the bottom of the table. It's used for taking care of heavy dust.

The side panels can be opened for extension of workspace.

**EASY INSTALLATION  
AND MAINTENANCE**





# DIMENSIONS

TFG 800 / 1600 / 2400

Model	A [mm]	B [mm]	C [mm]	D [mm]	E [mm]	F [mm]
TFG 800	895	1136	850	160	1560	800
TFG 1600	1695	1136	850	2 x 160	1560	1600
TFG 2400	2495	1136	850	3 x 160	1560	2400

Model	Weight [kg]	Recommended airflow [m3/h]	Average pressure drop [Pa]	Dust container [lit]	Code
TFG 800	180	1000 - 2000	390	190	106658
TFG 1600	320	2000 - 3000	200	2 x 190	106659
TFG 2400	440	3000 - 4000	100	3 x 190	106660

## OPTIONAL ACCESSORIES

Description	Code
Piping for TFG 1600	106666
Piping for TFG 2400	106667
Butterfly shut of valve - manual 160	10356
Butterfly shut off valve - manual 240	10360
Neon lamp	106668

## RECOMMENDED FILTER UNIT

Description	Code
For TFG 800 / TFK LA 30	105928
For TFG 1600 / TFK LA 40	104151
For TFG 2400 / TFK LA 40	104151

**NOTE** For selecting and sizing the correct unit please contact the nearest local distributor or directly Tehno Filter d.o.o. technical department.

CLEAN AND SAFE WORKSPACE  
FOR YOUR EMPLOYEES

